

---

**Jersey**  
**Stål / Steel**

---

FIG 1

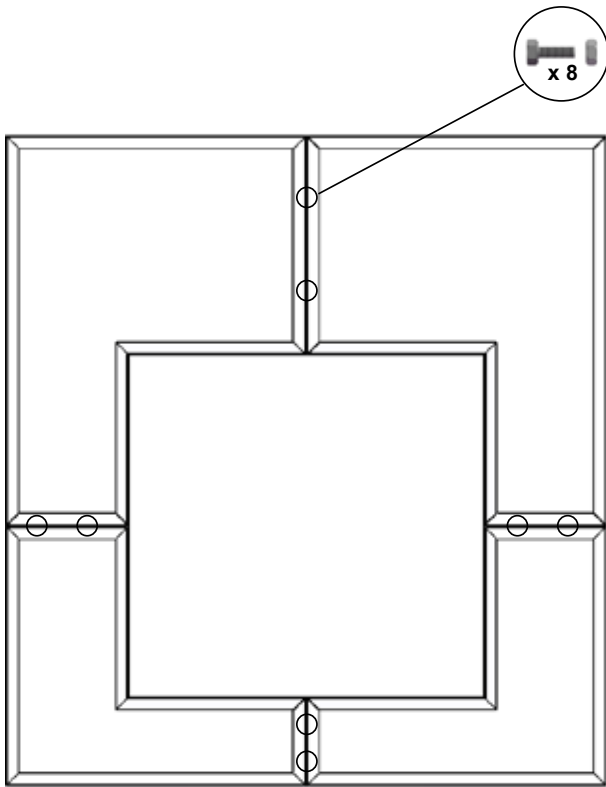


FIG 2

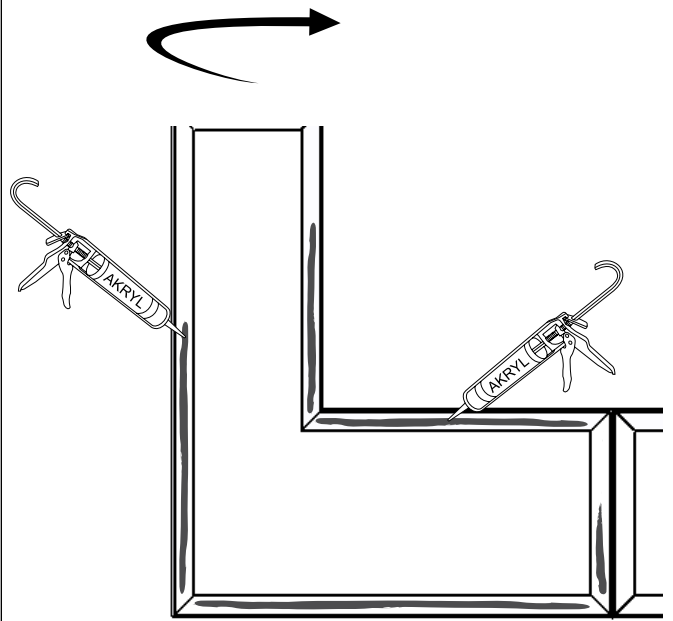


FIG 3

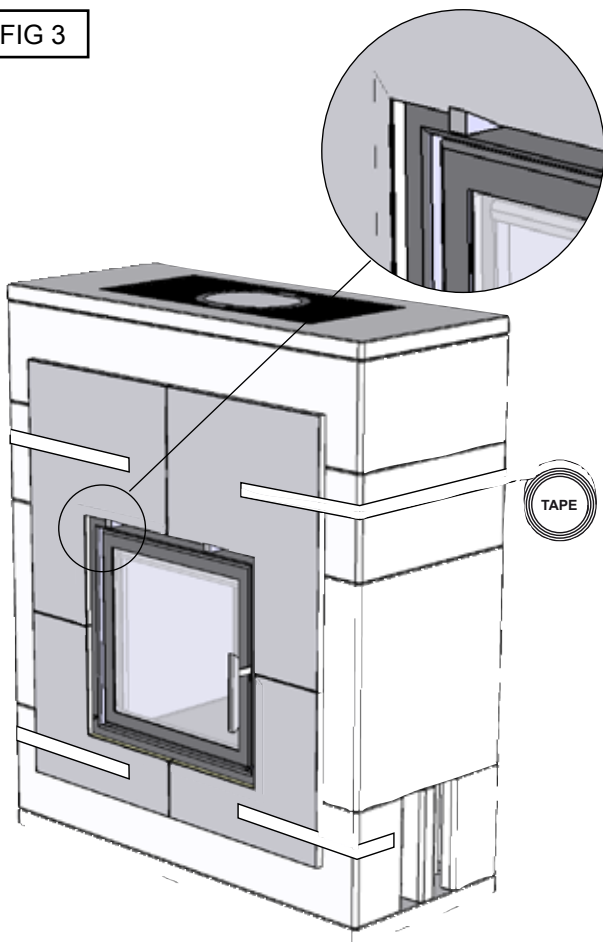


FIG 4

